

**nanuk**

# nanuk

convincingly simple



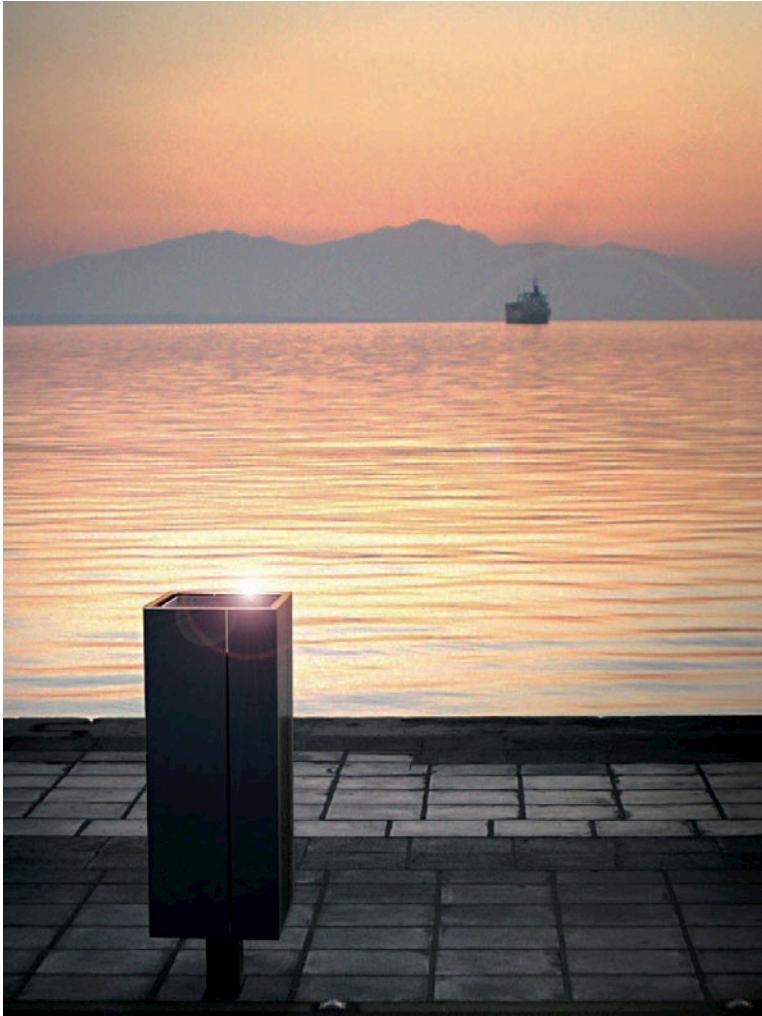
# nanuk

Formally extremely sparing, structurally simple, materially diverse – an example of smart design that delivers one of the widest ranges of litter bins with a fresh, attractive appearance. Cylinder and cuboid, two basic geometric shapes situated on a central leg with several types of cladding for truly universal usage. A cylinder with pleasant-looking wooden siding, the block additionally including bent reinforced steel sheet, transparent steel lathing, or interior-smooth high pressure laminate (HPL). Cuboid versions may also be fitted with an elegant canopy.

Awarded the title "Czech Grand Design" Producer of the Year 2012

*The unified galvanized steel frame sprayed with powder baked coating carries a sheathing which consists of grooved wooden siding, galvanized steel sheet, stainless steel sheet, or galvanized steel lathing. All steel parts are coated with powder paint finish. Another option is a sheathing of high-pressure laminate.*

# nanuk



1 z 13



• • • • •

# nanuk



# nanuk



3 z 13



• • • • •

nanuk



nanuk



5 z 13





# nanuk



# nanuk



7 z 13



# nanuk



# nanuk



9 z 13



# nanuk



# nanuk



# nanuk



# nanuk

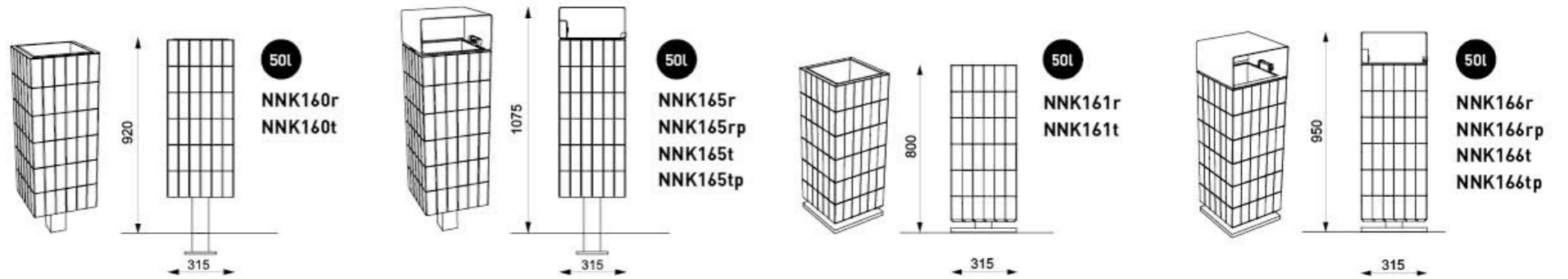




## NNK160 / 165 / 161 / 166

### Litter bin / with cover

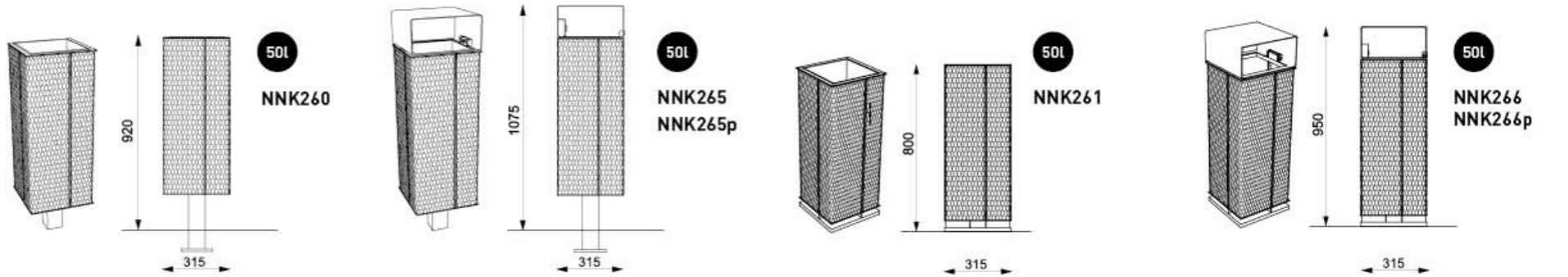
steel frame, covered with wooden lamellas  
 – alternatively with stainless steel cigarette extinguisher and ashtray



## NNK260 / 265 / 261 / 266

### Litter bin / with cover

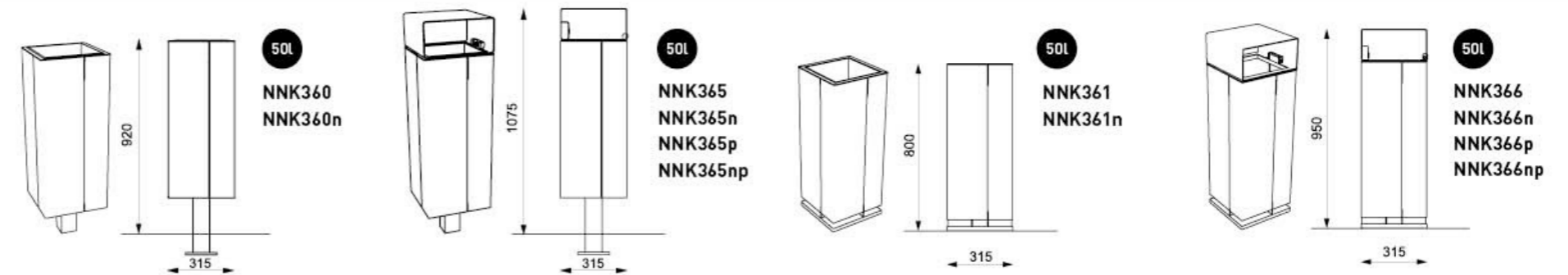
steel frame, covered with stretched steel sheet  
 – alternatively with stainless steel cigarette extinguisher and ashtray



## NNK360 / 365 / 361 / 366

### Litter bin / with cover

steel frame, covered with slotted metal or stainless steel sheet  
 – alternatively with stainless steel cigarette extinguisher and ashtray

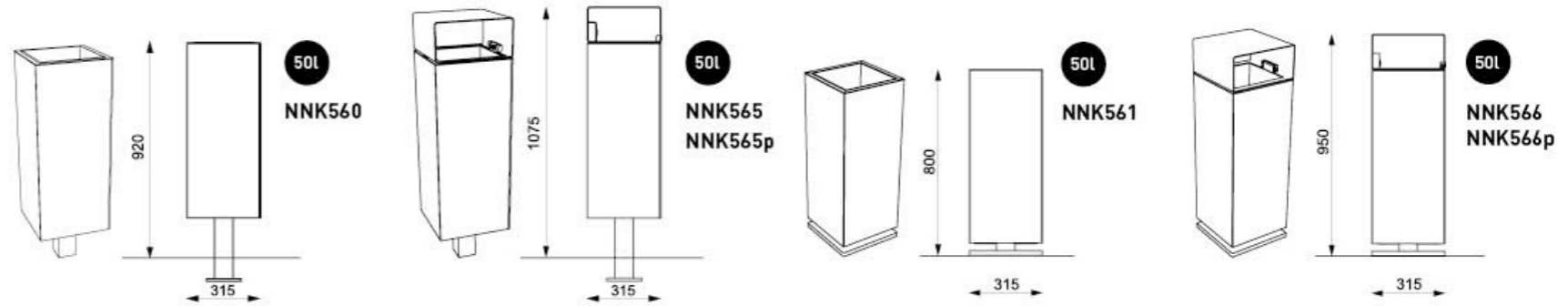


r – acacia wood  
 t – tropical wood  
 n – stainless steel  
 p – ash disposal  
 c – HPL individual decor

## NNK560 / 565 / 561 / 566

### Litter bin / with cover

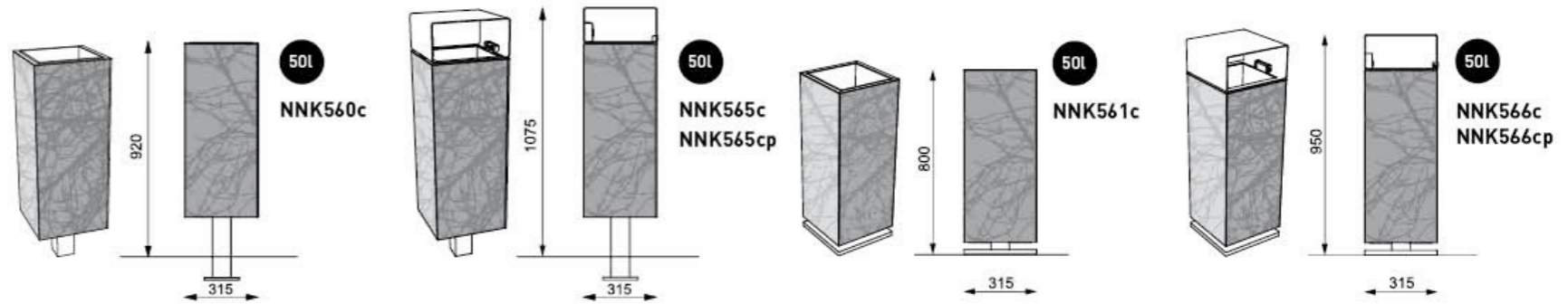
steel frame, covered with HPL,  
 – alternatively with stainless steel cigarette extinguisher and ashtray



## NNK560 / 565 / 561 / 566

### Litter bin / with cover

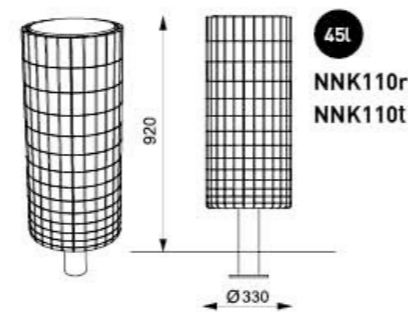
steel frame, covered with HPL individual decor  
 – alternatively with stainless steel cigarette extinguisher and ashtray



## NNK110

### Litter bin

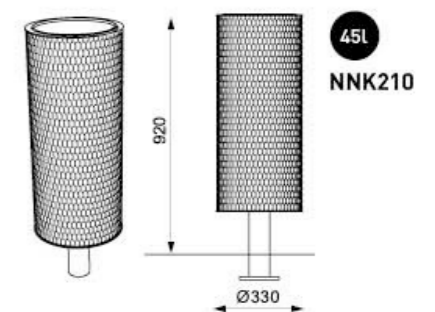
steel frame, covered with wooden lamellas



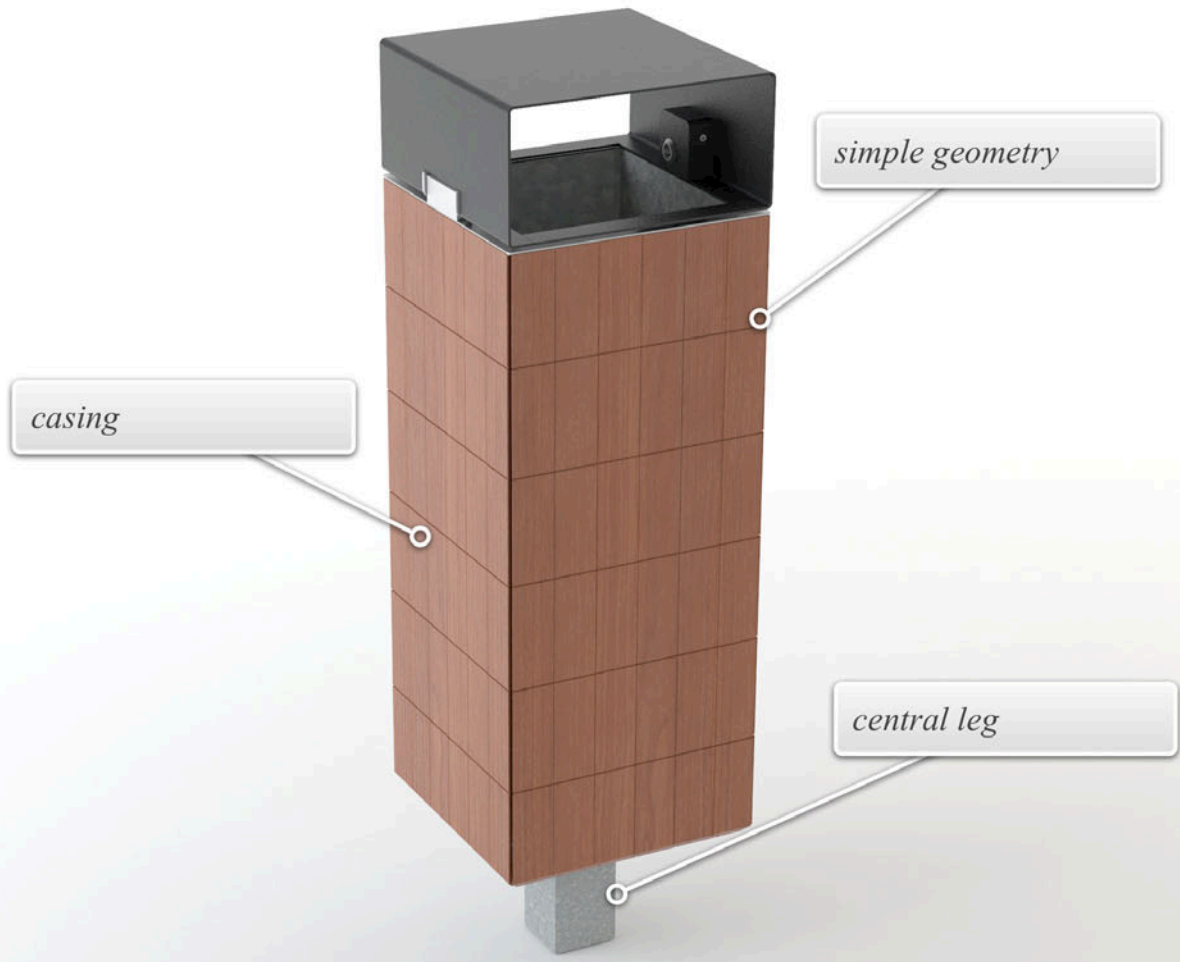
## NNK210

### Litter bin

steel frame, covered with stretched steel sheet



nanuk

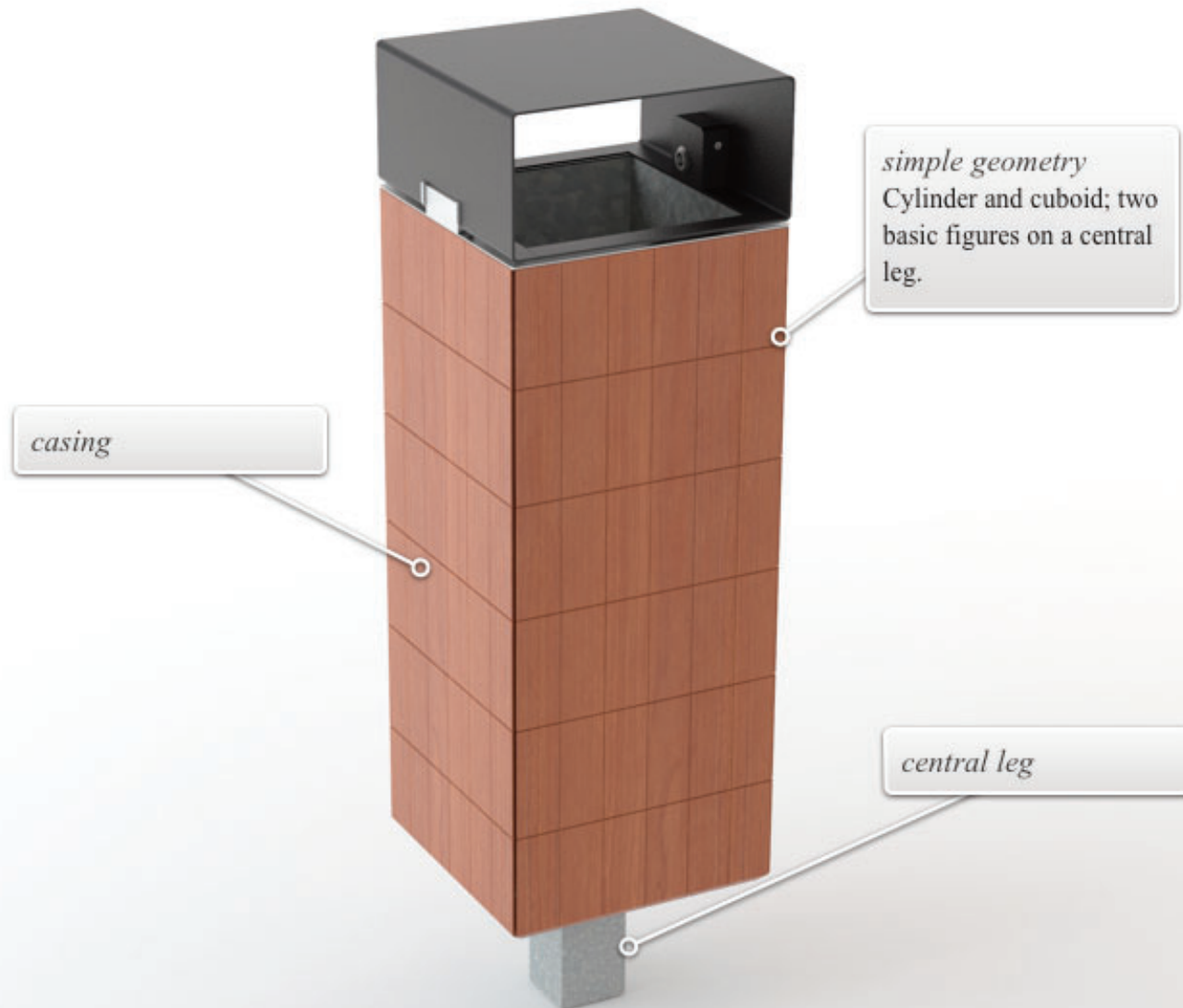


# nanuk

*casing*

Wooden lamellas, bent strengthened steel panel, transparent stretch metal or other smooth high pressure laminate with an option of any graphic application.





# nanuk

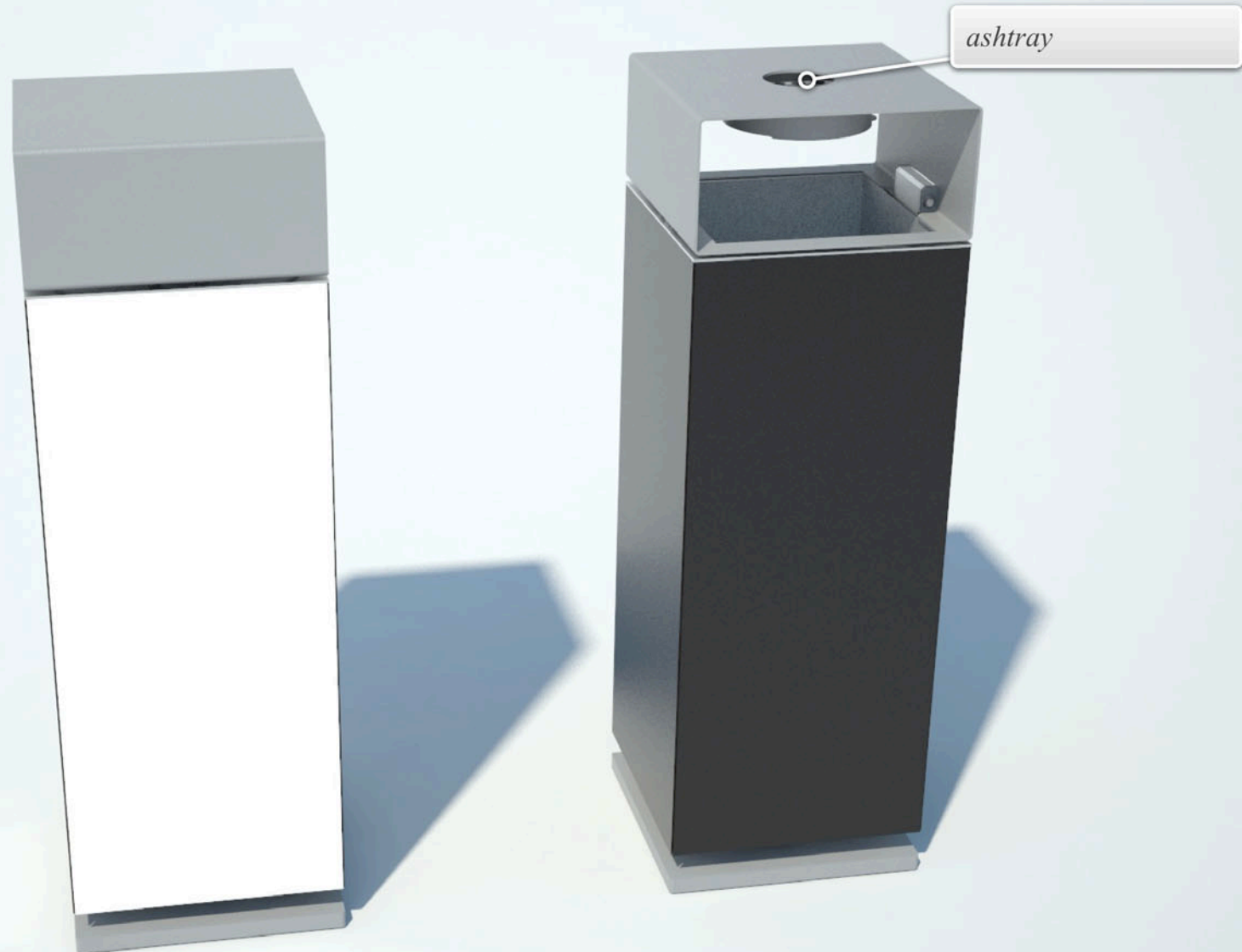
*casing*

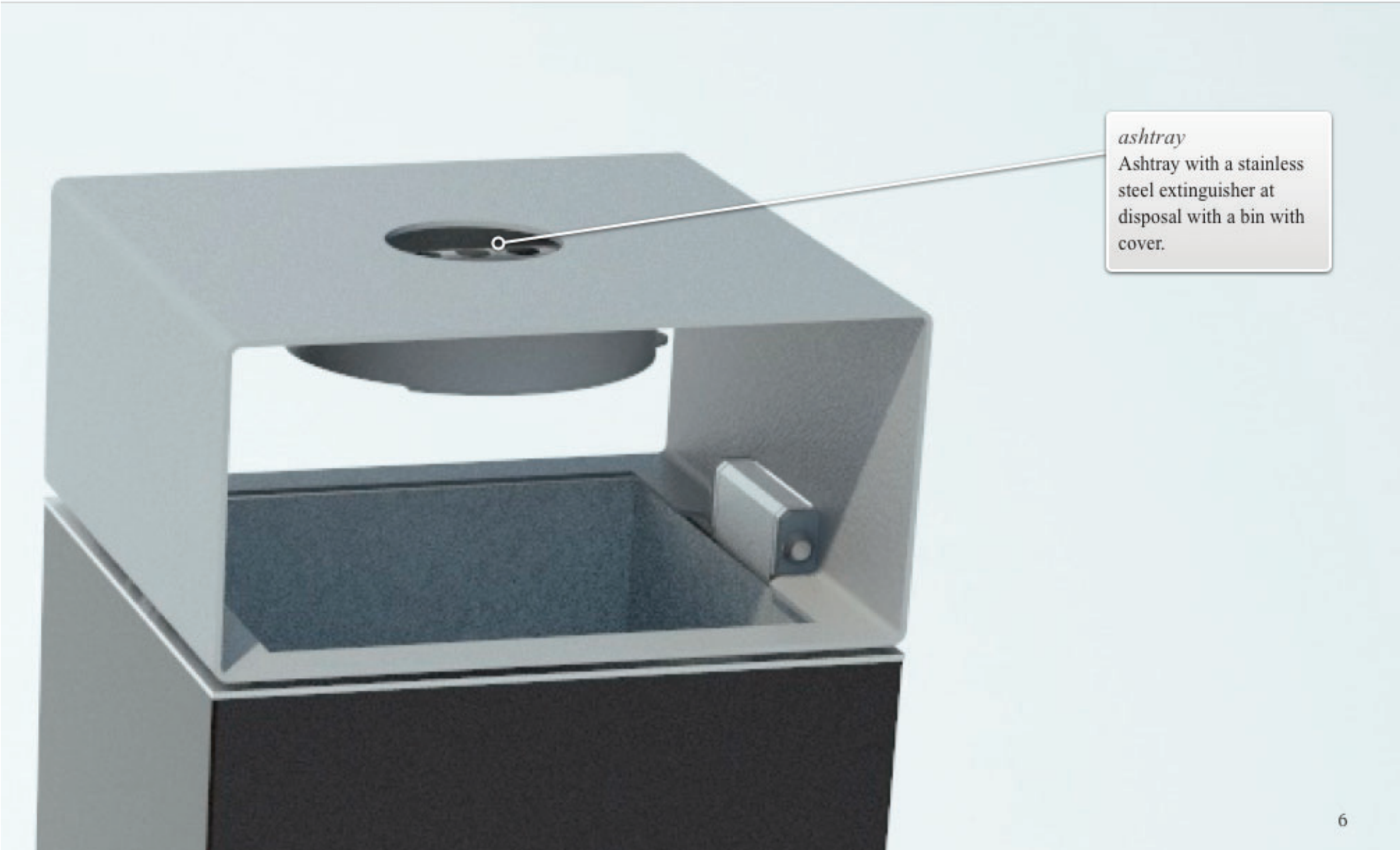


*central leg*

Position of a litter bin on a central leg brings elegance and maintenance is easier.

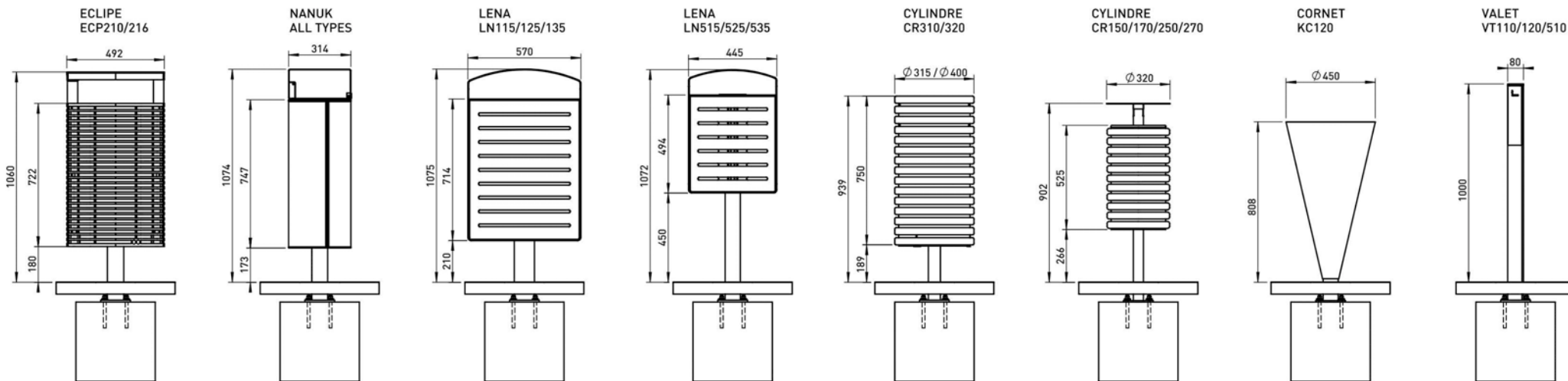
nanuk





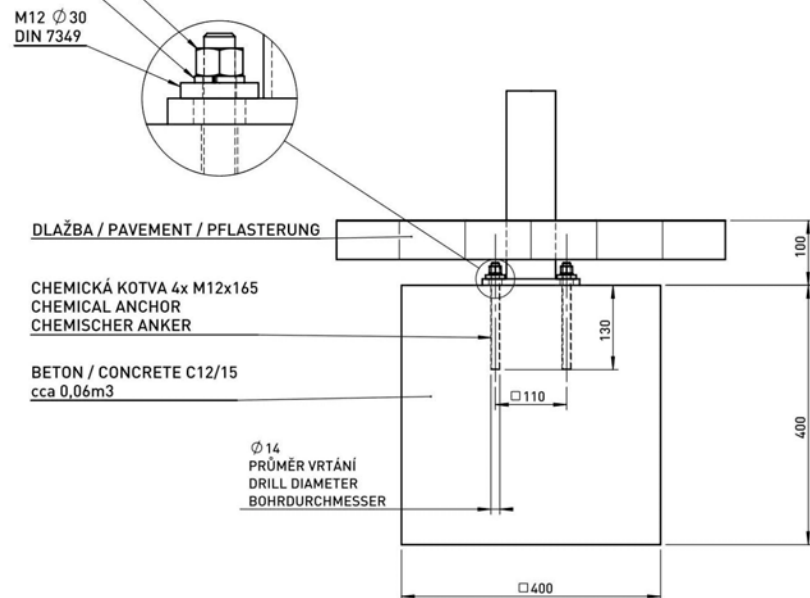
*ashtray*  
Ashtray with a stainless steel extinguisher at disposal with a bin with cover.





M12  
DIN 934  
M12  
DIN 127 B  
M12  $\varnothing 30$   
DIN 7349

KOTVENÍ POD ÚROVŇÍ DLAŽBY NEBO TERÉNU  
ANCHORING UNDER THE PAVEMENT OR GROUND LEVEL  
VERANKERUNG UNTER PFLASTER - ODER TERRAINNIVEAU



Rozměry výrobků mají informativní charakter. Výrobce si vyhrazuje právo na změnu technické specifikace bez předchozího upozornění. Rozměry spodní stavby a způsob osazení výrobku jsou závazné. Rozteče kotvěv rozměřovat dle rozměrů dodaného výrobku.  
All product sizes have an informative character. The Producer reserves the right to amend the technical specification at any time without previous warning. The size of foundation baseplate and the method of mounting of the product are imperative. Anchor spacing measure out by measurements of supplied product.  
Die Abmessungen der Produkte sind informativ. Der Hersteller behält sich das Recht an Änderungen der technischen Spezifikationen vor, ohne vorher darauf hinzuweisen. Abmessungen der Fundamentierung - Unterbau und Art des Produkteinbaus sind verbindlich. Ankerabstand gemäß der gelieferten Produktabmessungen dimensionieren.

TECHNICAL SPECIFICATIONS 3/5  
**TYP A - LITTER BINS**



1

mmcite.com